



B. A. MICROWAVES Ltd.

LOW COST SYNTHESIZERS - BA1120 SERIES

BA1228 SPECIFICATIONS:

Output Frequency:	7.8 - 8.5 GHz
Output Power:	8 dBm min at two outputs
Power Output Variation over Temp.:	± 2 dB
Step Size:	1 MHz min
Switching Speed:	100 msec
Output Impedance:	50 Ohm
Load VSWR:	2 : 1
Harmonics:	-40 dBc
Spurious > 10KHz:	-65 dBc
Phase Noise:	
@1 KHz offset:	-73 dBc
@10 KHz offset:	-73 dBc
@100 KHz offset:	-88 dBc

Reference Oscillator Input:

Option 1: External Oscillator

Frequency:	10 MHz
Power:	-10 - 0 dBm



THE STANDARDS INSTITUTION OF ISRAEL

B. A. MICROWAVES Ltd., 21 Hamesila st. Neshar, P.O.Box 150,
Neshar 36601, ISRAEL

E-mail : bamw@bamicrowaves.co.il

Fax +972-4-8202716 Phone +972-4-8202715



B. A. MICROWAVES Ltd.

Impedance:	50 Ohm
VSWR 2 : 1	
Phase Noise	
@1 KHz offset:	-140 dBc
@10 KHz offset:	-145 dBc
@100 KHz offset:	-150 dBc

Option 2: Internal Oscillator

Frequency Stability:
With External Oscillator: Function of external oscillator

With Internal Oscillator: ± 2.5 ppm

Supply Voltage & Current: +12 Vdc; 230 mA

Digital Control Format: 3 - Line Serial

Phase Lock Alarm: High = Locked

Operation Temperature: -30 °C to +70 °C

Relativity Humidity: up to 95%

Connectors:

Reference Input:	SMA-F
RF Output:	SMA-F
Alarm:	RFI Pins
Power Supply:	RFI Pins

Case Dimensions: 21 x 51 x 51 mm



THE STANDARDS INSTITUTION OF ISRAEL

B. A. MICROWAVES Ltd., 21 Hamesila st. Neshet, P.O.Box 150,
Neshet 36601, ISRAEL

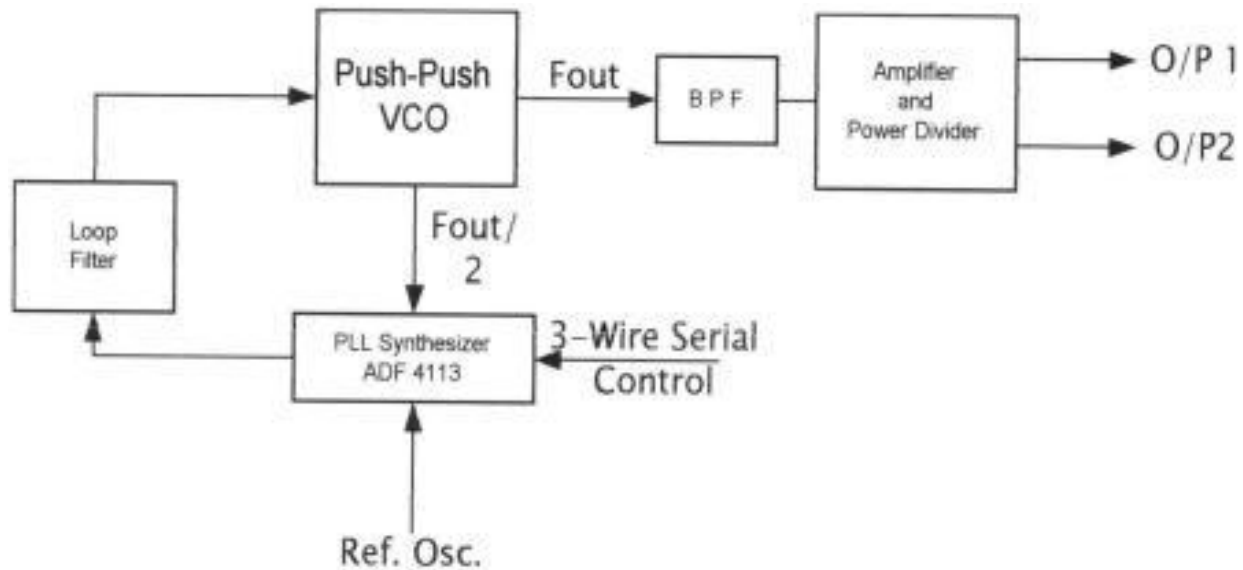
E-mail : bamw@bamicrowaves.co.il

Fax +972-4-8202716 Phone +972-4-8202715



B. A. MICROWAVES Ltd.

Synthesizer Block Diagram:



THE STANDARDS INSTITUTION OF ISRAEL

B. A. MICROWAVES Ltd., 21 Hamesila st. Neshet, P.O.Box 150,
Neshet 36601, ISRAEL

E-mail : bamw@bamicrowaves.co.il

Fax +972-4-8202716 Phone +972-4-8202715